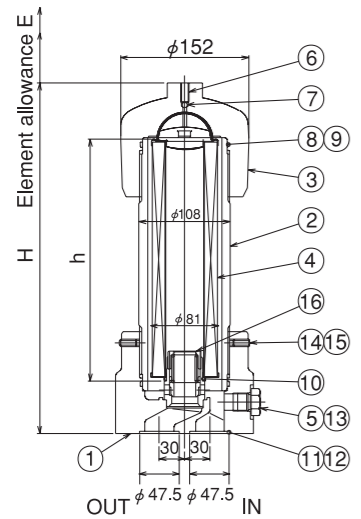
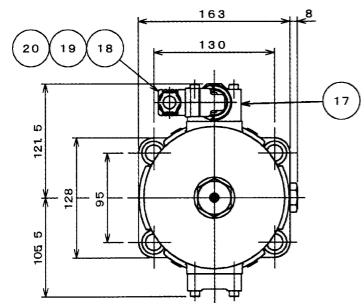




1. Maximum operating pressure: 42 MPa
Impulse test: 42 MPa x 10⁷ times
2. Installation dimensions are the same for Model 4201 and GC.
3. Elements used for Model 4201 and GC are the same.
4. For mounting, please prepare and use hexagon socket cap bolt (strength 12.9).
Size M16 x 90

Caution When releasing air, do not over-loosen No.6 Air vent plug. Avoid No.7 Steel ball pop-out which may cause injury.



Part List

Part No.	Part Name	Material	Qty	Remarks
20	O-ring	NBR	1	JISB 2401. 1A
19	O-ring	NBR	1	JISB 2401. 1B
18	Indicator	SUS	1SET	Option
17	Indicator block	FCD500	1SET	With bolt & P-6 (backup ring)
16	Relief valve	SS, C3604 SWIPA	1SET	Option With S-32
15	Piece	C3604	2	
14	Set screw	SCM435	2	
13	O-ring	NBR	1	JISB 2401.1B
12	Backup ring	Teflon	2	
11	O-ring	NBR	2	JISB 2401.1B
10	O-ring	NBR	1	
9	Backup ring	Teflon	2	
8	O-ring	NBR	2	JISB 2401.1B
7	Steel ball	SUJ	1	
6	Air vent plug	SCM435	1	
5	Drain plug	SCM435	1	
4	Element		1	
3	Cover	SF440	1	
2	Shell	SA372Gr.D	1	
1	Body	FCD500	1	

O-ring and backup ring (All 4201 models)

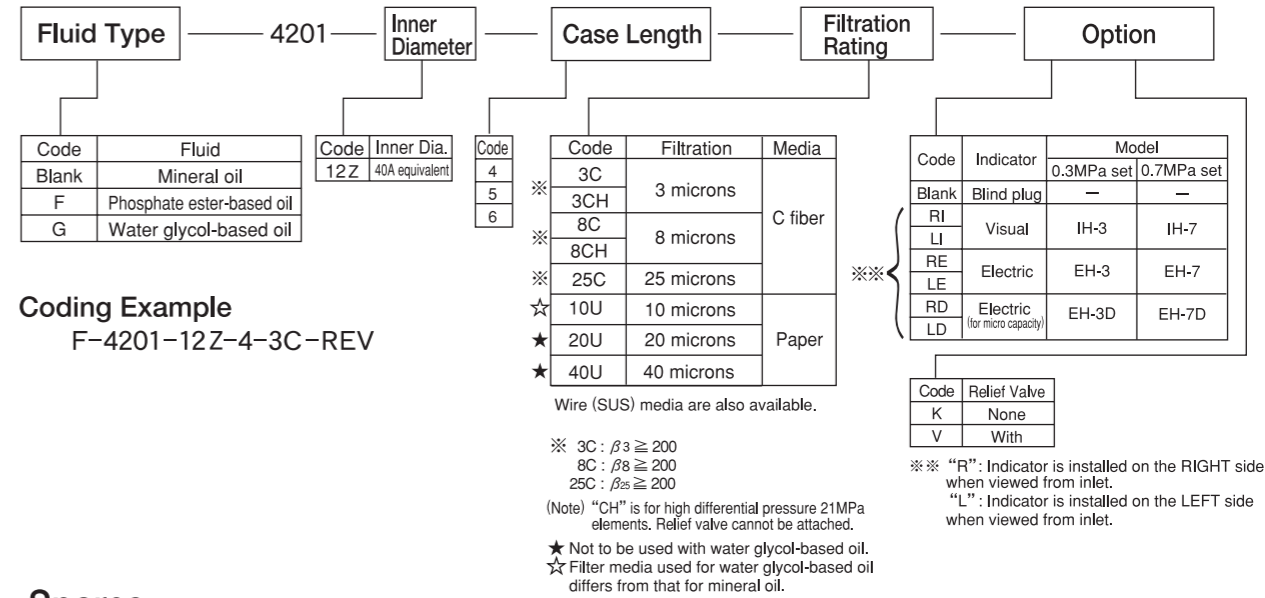
Part No.	8 · 9	10	11 · 12	13	19	20
Part Name	G-105	AS568-131 P-42(HS70)	G-40	P-18	P-22	P-16
Backup ring	11.5X φ108/103 (Endless)	φ2 11.25X φ47.2/42.3	SUN-4B,G-40 (for fange)		JIS B2407,T2 ,P-22	

- *1 For use of 5UW, 10UW and 20UW
- *2 Backup ring is included for use of high differential pressure element only.

Dimensions and Standard Flow Rates

Model	Symbol	h	H	Element Allowance E	Mass (kg)	Standard Flow Rate (l/min)
4201-12Z-4		211	357	170	30	300
4201-12Z-5		330	476	290	33	330
4201-12Z-6		431	577	390	36	350

Model Code



Spares

Element

P — Fluid Type — 4201 — Case Length — Filtration Rating
 Coding example: P-F-4201-4-3C

Sealing parts set

● For element replacement (Part No. with ○ in "O-ring and Backup ring".)
 SP — Fluid Type — 4201 — Inner Diameter — Code Filtration Rating
 H 3CH,8CH
 UW 5UW, 10UW, 20UW
 Blank Others
 Coding example: SP-F-4201-12Z-UW

For overhaul

SA — Fluid Type — 4201 — Inner Diameter — Code Filtration Rating — Code Indicator — Code Relief Valve
 H 3CH,8CH
 UW 5UW, 10UW, 20UW
 Blank Others
 Blank Blind plug
 I Visual
 E Electric
 D Electric (for micro capacity)
 K None
 V With
 Coding example: SA-F-4201-12Z-UW-EV

Flow Rate Chart

- ISO VG32
- Viscosity: 32 cSt (40°C)

