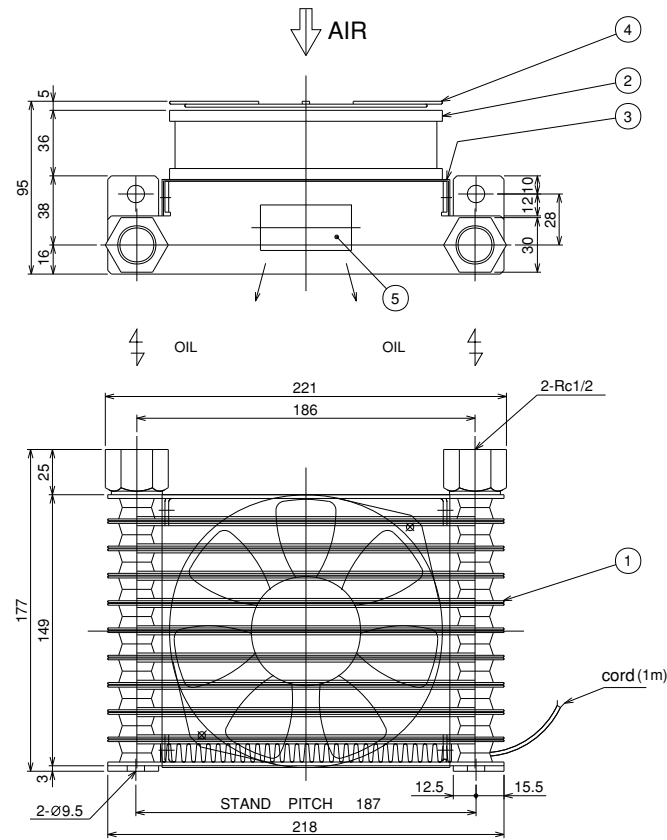
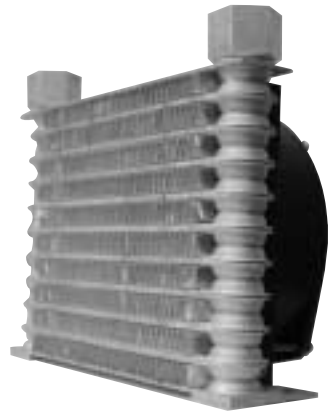


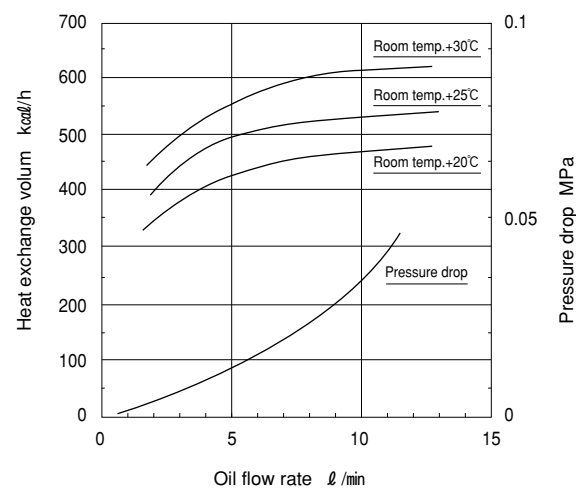
Construction & Dimensions



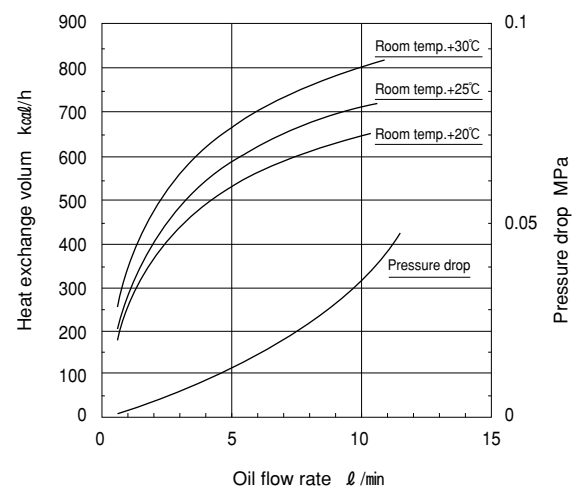
ATL-1531

Cooler selection graph

Model : ATL-1231
Fluid : ISO-VG32



Model : ATL-1531
Fluid : ISO-VG32



Model Number

ATL - 1231 — VOLTAGE
ATL - 1531

Code	Voltage	
	1531	1231
1	100V	100V※1
2	200V	200V※1
15	115V	115V
22	220V	—
23	230V	230V

Specifications

Fluid	Mineral based oil
Operating pressure	1.0MPa
Voltage	Single phase 100V or 200V 50/60Hz ※1
Power consumption	16/15W 50/60Hz (ATL-1231) 35/33W 50/60Hz (ATL-1531)
Lead cable	1m
Sound level	45dB(A) (ATL-1231) Less than 65dB(A) (ATL-1531)
Weight	1.6kg (ATL-1231) 1.8kg (ATL-1531)
Ambient condition	Ambient temp. : -20°C~60°C RH : 20%~85% In house use To avoid oil mist atmosphere for electronic short circuit

※1 100V,200V are standard

Component Parts

No.	Parts name
1	Radiator
2	Fan motor
3	Support
4	Fan guard