



CHEMGARD™ U-LINE HOUSING

*PFA housings for compact manifold configurations
in high-purity chemical applications*



unique head design for ultimate space-saving advantage

Overview

Entegris' Chemgard™ U-line housing, manufactured with Teflon® fluoropolymer resin, is designed to meet the high-purity standards for process fluids used in the semiconductor industry. The Chemgard U-line housing's unique design allows it to be plumbed into extremely small spaces. In addition, its durable construction and leakproof design ensure efficient integration into the fab. With the inlet and outlet on the top of the head of the housing, the Chemgard U-line housing can be utilized in corners, in compact manifold systems or areas where space is critical. When wet bench space is at a minimum, the U-line offers the proven reliability

of the Chemgard U-line housing in a vertical head design.

Accommodates a Wide Range of Filters

The Chemgard U-line housing is offered in 5," 10," 12" and 20" bowl lengths to accommodate most filters manufactured by Entegris, including the QuickChange® and Guardian™ filter families. The Chemgard U-line housings are available with Flaretek® fitting compatible inlet and outlet connections for simple and quick installation and removal.

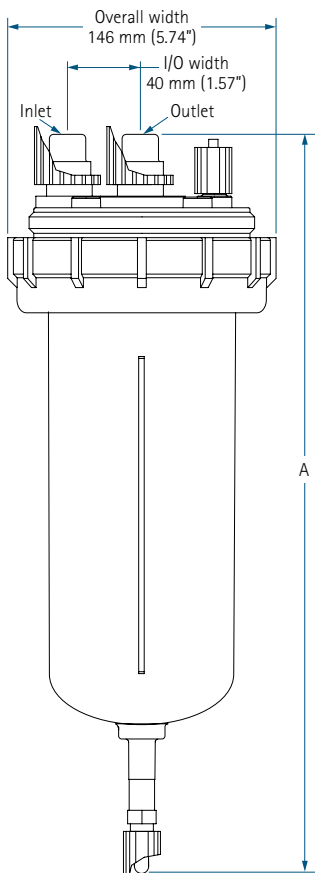
Features	Benefits
Compact U-line head design	Provides dramatic space savings advantage and plumbing flexibility, enabling smaller footprint system configurations
External o-ring and nonrotating bowl	Enables faster filter installation in a truly leakproof, torsion-free seal to ensure maximum system uptime and lowest cost of ownership
Superior cleanliness and durability with Teflon fluoropolymer construction	Ensures lowest particle counts in high-purity chemical applications, and longest life in even the most demanding applications
Available in 5," 10," 12" and 20" bowl lengths	Allows use with most filters manufactured by Entegris, affording maximum filtration system design flexibility and compatibility

Specifications

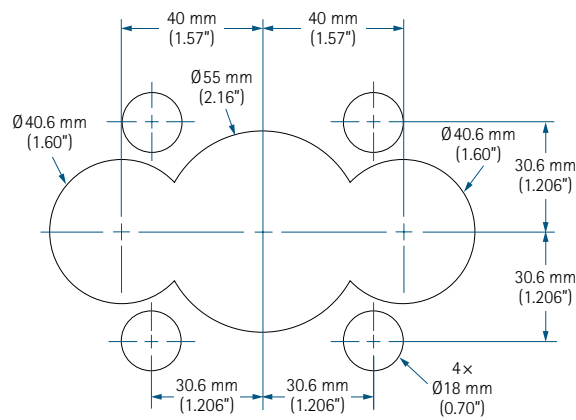
Materials:	Head, bowl and plug	Teflon PFA 440 HP
	O-ring	Viton® fluoroelastomer encapsulated with Teflon fluoropolymer resin (2-344)
	Locking ring	PVDF (nonwetted part)
Connections:	3/4" Flaretek fitting compatible inlet and outlet	
	1/4" Flaretek fitting compatible vent and drain	
	Code O 2-222 o-ring cartridge connections	
Maximum operating conditions:	Maximum inlet pressure	0.3 MPa (3.0 bar, 43 psi) @ 100°C
		0.75 MPa (7.5 bar, 110 psi) @ 25°C
	Maximum operating temperature	100°C (212°F)

Dimensions

Chemgard U-line Housing Assembly



Mounting Bracket Template



Housing Assembly	Description	A
YY46S0U0K	5" assembly	278 mm (11.0")
YY4610U0K	10" assembly	396 mm (15.7")
YY4612U0K	12" assembly	460 mm (18.1")
YY4622U0K	20" assembly	672 mm (26.4")

Ordering Information

Chemgard U-line Housing

HOUSING HEAD

Part Number	Inlet/Outlet Fitting	Vent/Drain Fitting
YY46H2FOF	3/4" Flaretek	1/4" Flaretek

HOUSING BOWL

Part Number				Vent/Drain Fitting
4" Bowl	10" Bowl	12" Universal	20"	
YY46S0160	YY4610160	YY4612160	YY4622160	1/4" NPT
YY46S0170	YY4610170	YY4612170	YY4622170	1/4" Pipe
YY46S0180	YY4610180	YY4612180	YY4622180	1/4" Flaretek

HOUSING KIT

Part Number	Inlet/Outlet Fitting	Vent/Drain Fitting
YY46S0U0K	3/4" Flaretek	1/4" Flaretek
YY4610U0K	3/4" Flaretek	1/4" Flaretek
YY4612U0K	3/4" Flaretek	1/4" Flaretek
YY4622U0K	3/4" Flaretek	1/4" Flaretek

Accessories

Part Number	Description	Qty
YY4510180	PFA cartridge o-ring adapter 2-222 to 2-118	2/pk
YY4600004	Chemlock®/Chemgard integrated housing wrench	1
YY4510140	10" PFA cartridge adapter (for 12" universal Chemgard bowl)	1
YY4622191	20" PFA cartridge adapter (for 20" universal Chemgard bowl)	1
YY4610102	Replacement o-rings (Viton 2-344 fluoroelastomer encapsulated with Teflon fluoropolymer resin)	3/pk
YY4610108	Kalrez® 2-344 o-ring	1

20" Chemgard housings are compatible with all 20" cartridge filters and contain a cartridge adapter for use with Entegris cartridges.

12" Chemgard housings contain a 10" cartridge filter adapter and are compatible with all 10" cartridges.

10" Chemgard housings accommodate 10" cartridges up to 10.3".

For More Information

Please call your Regional Customer Service Center today to learn what Entegris can do for you. Visit www.entegris.com and select the Customer Service link for the center nearest you.

Terms and Conditions of Sale

All purchases are subject to Entegris' Terms and Conditions of Sale. To view and print this information, visit www.entegris.com and select the Legal Notices link from the footer.

Entegris®, Chemgard™, QuickChange®, Guardian™, Flaretek® and Chemlock® are trademarks of Entegris, Inc. Kalrez® and Viton® are registered trademarks of DuPont Dow Elastomers. Teflon® is a registered trademark of E.I. du Pont de Nemours and Company.

ENTEGRIS, INC.

Corporate Headquarters | 129 Concord Road | Billerica, MA 01821 USA
Customer Service Tel. +1 952 556 4181 | Customer Service Fax +1 952 556 8022
In North America 800 394 4083 | www.entegris.com