



EXIMOR® SV5 SOLVENT FILTER

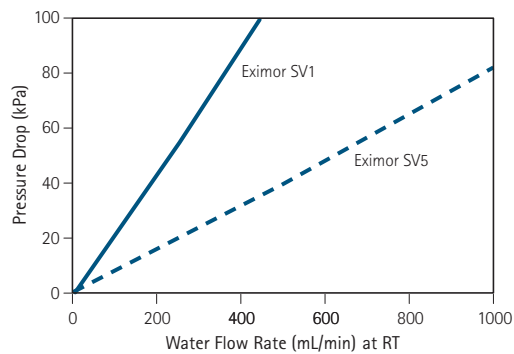
Advanced disposable POU filters for critical photo-solvent applications

Specifications

Materials:	Membrane	PTFE-based
	Support, core, sleeve	PFA
	O-ring	Kalrez®
Maximum inlet pressure:	0.39 MPa @ 25°C (77°F)	
Maximum forward pressure:	0.29 MPa @ 25°C (77°F)	
Maximum reverse pressure:	0.29 MPa @ 25°C (77°F)	
Maximum operating temperature:	30°C (86°F)	
Hold-up volume:	50 mL	

Note: The Eximor® SV5 flushing shell part number is EX50000K1. The device uses the standard Eximor SV1 manifold (EX1X2220T).

Performance Data

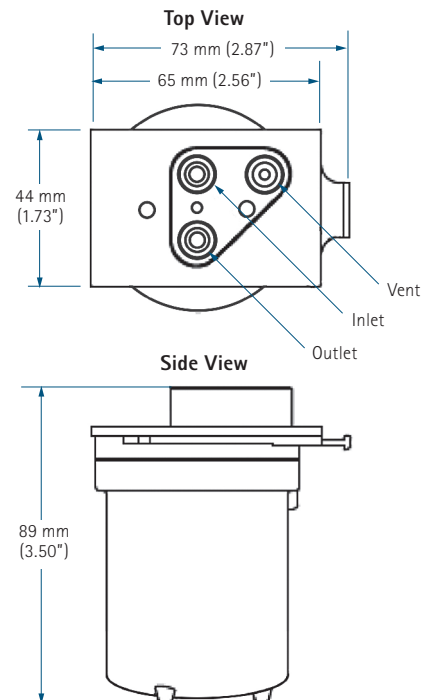


Ordering Information

Part No.	Description
EX5TT00K1	Eximor SV5 Solvent Filter



Dimensions



For More Information

Please call your Regional Customer Service Center today to learn what Entegris can do for you. Visit www.entegris.com and select the Customer Service link for the center nearest you.

Terms and Conditions of Sale

All purchases are subject to Entegris' Terms and Conditions of Sale. To view and print this information, visit www.entegris.com and select the Legal Notices link from the footer.

Entegris®, the Entegris Rings Design®, Creating a Material Advantage® and Eximor® are registered trademarks of Entegris, Inc. Kalrez® is a trademark of E. I. du Pont de Nemours and Company.

ENTEGRIS, INC.

Corporate Headquarters | 129 Concord Road | Billerica, MA 01821 USA
Customer Service Tel. +1 952 556 4181 | Customer Service Fax +1 952 556 8022
In North America 800 394 4083 | www.entegris.com

©2015-2016 Entegris, Inc. All rights reserved Printed in USA 4415-8004ENT-0316

