



IMPACTTM ST Manifold

For use with IMPACT[®] LHVD and IMPACT Plus filters for point-of-use applications in photolithography



**Shown with IMPACT LHVD filter (not provided with manifold)*

The Solution For Rapid Filter Changeout

Superior Design

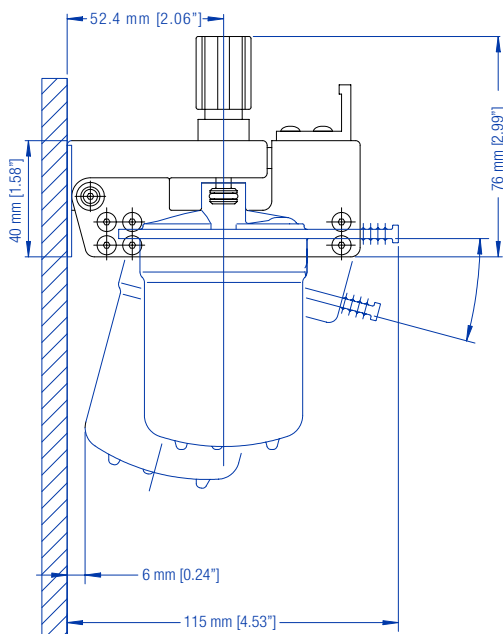
- Rapid filter changeout with minimal dripping: With NO tools and NO draining required, you can change the filter in less than 1 minute!
- Compact design provides easy installation or retrofit into existing tools.

Superior Manufacturing

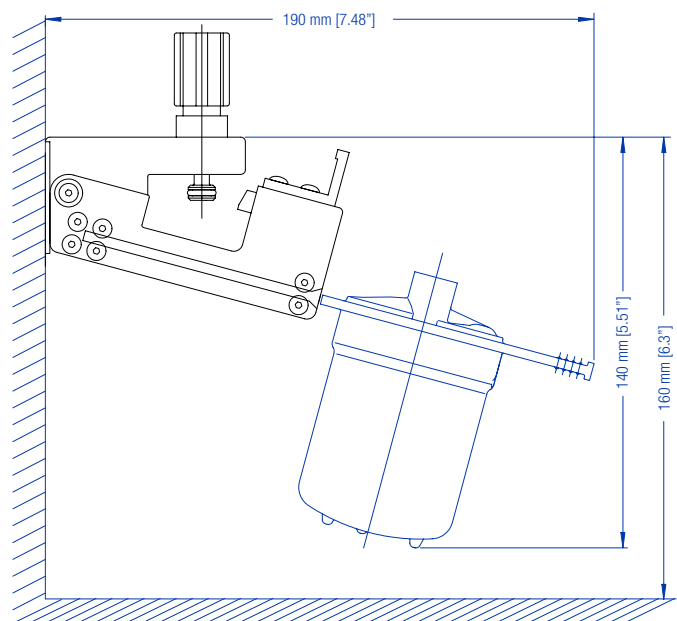
- Manufactured in a world-class, ISO 9001 Quality Systems Standard facility.
- Manufactured, tested, and packaged in a cleanroom to ensure product cleanliness.

Superior Performance

- Rapid filter changeout with minimal dripping and minimal exposure to process fluids.
- Used with disposable point of use filters for small to mid-volume process fluid filtration needs.



Side View



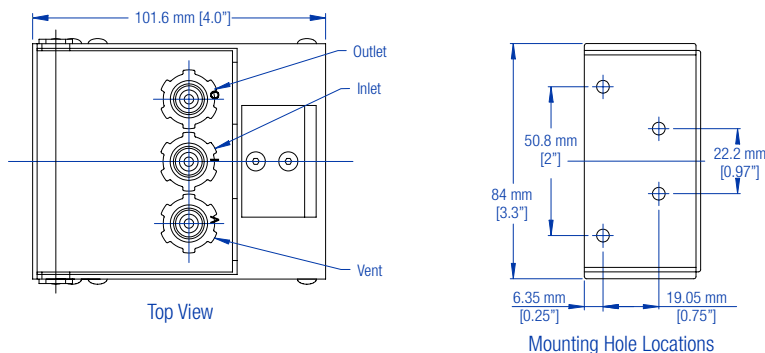
Side View with Required Filter Changeout Space
for IMPACT LHVD and IMPACT Plus Filters

IMPACT ST Manifold - Ordering Information

Materials	Internal wetted surface: PFA
	Non-wetted surface: Stainless Steel
	O-rings: Kalrez® perfluoroelastomers
Fittings	1/4" Flaretek®
Dimensions	Height (manifold and fitting): 76 mm [2.99"] Width: 84 mm [3.3"] Depth: 101.6 mm [4.0"]

Ordering Information

Description	Part #
IMPACT ST Manifold	DZUM 044 C1
IMPACT ST Manifold, easy change fittings, no O-rings	DZUM 044 E1



For more information on this product's use in Photolithography applications, refer to "Publications: Photochemical Filtration" available on the Mykrolis web site.

Mykrolis Worldwide

AUSTRIA (+43) 1-50222-1237	FRANCE (+33) 4-76-35-73-50	JAPAN <i>Tokyo</i> (+81) 3-5442-9718 <i>Kyushu</i> (+81) 92-471-8133 <i>Osaka</i> (+81) 6-6390-0594	SLOVENIA (+49) 816-595-110
BELGIUM (+32) 2-640-4185	GERMANY (+49) 816-595-110	KOREA (+82) 2-551-0990	SOUTH AFRICA (+27) 11 444 2280
CANADA (+1) 877-695-7654	GREECE (+30) 8000-904	LATIN AMERICA 55-11-5548-7011	SPAIN (+34) 47635-7350
CHINA, PEOPLE'S REPUBLIC OF <i>Beijing</i> (+86) 10-8287-1248 <i>Shanghai</i> (+86) 21-5080-5600	HUNGARY (+49)-816-595-110	THE NETHERLANDS (+31) 20-6545-226	SWEDEN (+46) 40-534070
CZECH REPUBLIC (+49) 816-595-110	INDIA (+91) 80-839-6320	POLAND (+49) 816-595-110	TAIWAN <i>Hsin Chu City</i> (+886) 3-571-0178 <i>Tainan</i> (+886) 6-589-6008
DENMARK (+45) 3337-7247	IRELAND (+44)-179361-5808	RUSSIA (+7) 95 532 8375	UNITED KINGDOM (+44) 179-361-5808
FINLAND (+358) 9-22100022	ISRAEL (+972) 9-7405551	SINGAPORE (+65) 6 745-2422	UNITED STATES OF AMERICA (+1) 978-436-6500 Billerica, MA (+1) 972-359-4000 Allen, TX

For additional information call your nearest Mykrolis office.
In the U.S. and Canada call toll-free:
1-877-Mykrolis (1-877-695-7654)
In the U.S., Canada and Puerto Rico, fax orders toll-free to:
1-877-Mykrotx (1-877-695-7639)

Find the latest catalog, data sheets, and technical briefs at
www.mykrolis.com or
E-mail: tech_service@mykrolis.com

IMPACT, IntelliGen, Mykrolis and the Mykrolis logo are trademarks of Mykrolis Corporation.
IMPACT is a registered trademark of Mykrolis Corporation.
Flaretek is a trademark of Entegris, Inc.
Kalrez is a trademark of DuPont Dow Elastomers, L.L.C.

Mykrolis Corporation is formerly the Microelectronics Division of Millipore Corporation.

Lit. No. PF1555ENUS Rev. B 10 February 2003
Printed in the U.S.A.

© 2001-2003 Mykrolis Corporation. All rights reserved.

