



NT® PRESSURE TRANSDUCERS FOR
DEIONIZED WATER SYSTEMS



reliable pressure measurement

Reliable Pressure Measurement

Concerns such as uptime, contamination and process control affect your daily deionized (DI) system performance. To meet these challenges, Entegris introduces a pressure transducer designed for DI water. Constructed without fill fluids or moving diaphragms, the transducers deliver reliability, system consistency and accuracy to one percent (1%) of full scale for greater control of system variables.

- Nonmetallic sensing technology for reliable measurement
- No fill fluids to contaminate your process
- Electronic output signals for diagnostics and alarms
- One percent (1%) of full scale accuracy for stable, repeatable pressure measurement
- Compact design for easy installation

Constructed for Compatibility

Designed to protect your DI water integrity, the pressure transducers contain no fill fluids and feature PTFE and other high purity polymers for all wetted parts. The pressure transducer includes a removable grommet, allowing users to easily adjust the zero and span potentiometers, while the nonmetallic parts, corrosion resistant exterior and encapsulated electronics deliver a clean, precise and low maintenance solution. Providing compatibility and easy integration with electronic displays and monitoring systems, the transducers offer quick installations, minimal calibrations and better performance for your deionized water applications.

Advanced Technology

Featuring an electronic measurement technology, the pressure transducer offers one percent (1%) accuracy, a compact single unit, compatible materials and stable measurements for increased accuracy, less maintenance and more uptime. For system control, encapsulated solid-state electronics provide durability while allowing you to obtain valuable diagnostic information for monitoring system pressure and critical alarms.

Improved System Control

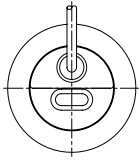
Whether your concerns are measurement reliability, system contamination, better performance, frequent calibrations or the cost of replacing parts, the DI water pressure transducer provides the solution. You will discover how to decrease your calibration and maintenance time and eliminate the risk of contamination from corrosion and fill fluids. The durable construction of the DI pressure transducers allow you more time to keep the DI system up and running.

NT[®] Pressure Transducer, Single-port

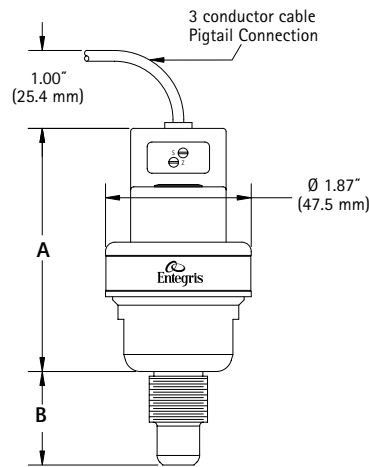
Model 4130 Dimensional Information

Inlet/Outlet	Dimensions	
Port Connection	A (Pigtail)	B
1/4" Flaretek [®]	3.12" (79.2 mm)	0.99" (25.2 mm)
3/8" Flaretek [®]	3.12" (79.2 mm)	1.06" (26.9 mm)
1/2" Flaretek [®]	3.12" (79.2 mm)	1.14" (29.0 mm)
1/4" FNPT	3.46" (87.9 mm)	—
1/2" FNPT	3.72" (94.5 mm)	—
1/4" MNPT	3.12" (79.2 mm)	0.59" (15.0 mm)

Top View





Side View



Specifications

Description Model 4130

Materials of construction:	Wetted parts	Body: PTFE Sensor interface: PFA Primary seal: EPDM
	Nonwetted parts	Polypropylene, PVDF and PVC jacketed cable (In addition to materials listed above)
Pressure range:	0 to 30 PSIG (0 to 207 kPa), 0 to 60 PSIG (0 to 414 kPa), 0 to 100 PSIG (0 to 690 kPa), 0 to 150 PSIG (0 to 1034 kPa)	
Over-pressure limit:	150% of full scale range	
Process temperature:	50° to 149°F (10° to 65°C) 149° to 203°F (65° to 95°C) at 75 PSIG (517 kPa) maximum	
Process connection options:	Flaretek [®] : 1/4", 3/8", 1/2" NPT: 1/4", 1/2"	
Electrical input:	24 VDC (12-28 VDC input voltage)	
Electrical output:	4-20 mA, 0-5 VDC, 0-10 VDC	
Electrical cable	12' PVC jacketed cable	
Reference accuracy:	±1% of full scale (Includes combined effects of linearity, hysteresis and repeatability)	
Enclosure:	NEMA 5/IP54	
Approvals:	 	Conforms to the UL Standard 1604 Class I, Div. II Group A, B, C, D T6.

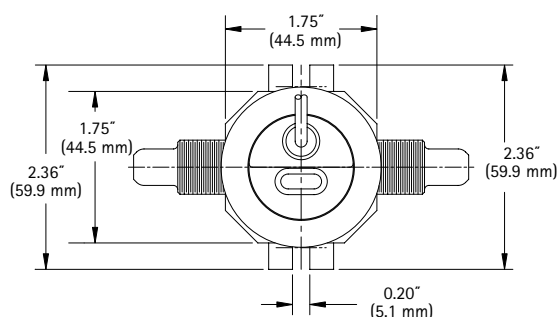
Note: Specifications are subject to change without notice. Please consult the factory for the most current information.

NT[®] Pressure Transducer, Flow-through

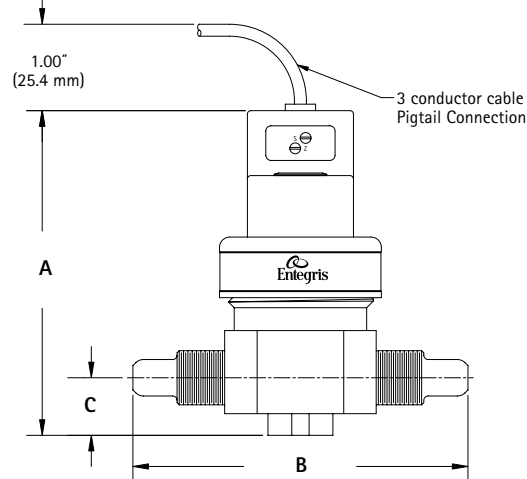
Model 4230 Dimensional Information

Inlet/Outlet Port Connection	Dimensions		
	A (Pigtail)	B	C
1/4" Flaretek [®]	3.75" (95.3 mm)	3.72" (94.5 mm)	0.73" (18.5 mm)
3/8" Flaretek [®]	3.75" (95.3 mm)	3.87" (98.3 mm)	0.67" (17.0 mm)
1/2" Flaretek [®]	4.00" (101.6 mm)	4.03" (102.4 mm)	0.85" (21.6 mm)
3/4" Flaretek [®]	4.33" (110.0 mm)	4.27" (108.5 mm)	1.00" (25.4 mm)
1" Flaretek [®]	4.65" (118.0 mm)	4.75" (120.7 mm)	1.20" (30.5 mm)

Top View





Side View



Specifications

Description Model 4230

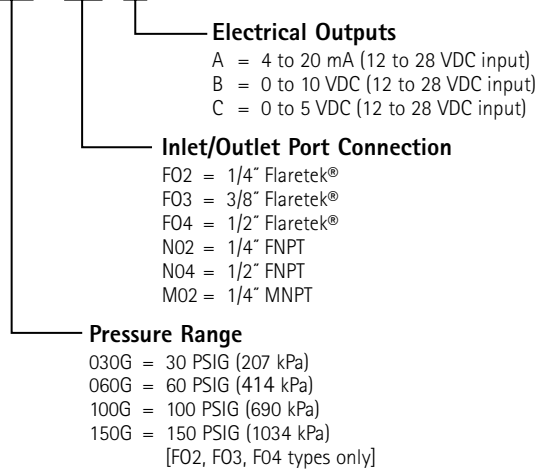
Materials of construction:	Wetted parts	Body: PTFE Sensor interface: PFA Primary seal: EPDM
	Nonwetted parts	Polypropylene, PVDF and PVC jacketed cable (in addition to materials listed above)
Pressure range:	0 to 30 PSIG (0 to 207 kPa); 0 to 60 PSIG (0 to 414 kPa); 0 to 100 PSIG (0 to 690 kPa)	
Over-pressure limit:	150% of full scale range	
Process temperature:	50° to 149°F (10° to 65°C)	
	149° to 203°F (65° to 95°C) at 75 PSIG (517 kPa) maximum	
Process connection options:	Flaretek [®] : 1/4", 3/8", 1/2", 3/4", 1" (NPT versions also available)	
Electrical input:	24 VDC (12-28 VDC input voltage)	
Electrical output:	4-20 mA, 0-5 VDC, 0-10 VDC	
Electrical cable	12' PVC jacketed cable	
Reference accuracy:	±1% of full scale (includes combined effects of linearity, hysteresis and repeatability)	
Enclosure:	NEMA 5/IP54	
Approvals:	 	Conforms to the UL Standard 1604 Class I, Div. II Group A, B, C, D T6.

Note: Specifications are subject to change without notice. Please consult the factory for the most current information.

Ordering Information

Part Number

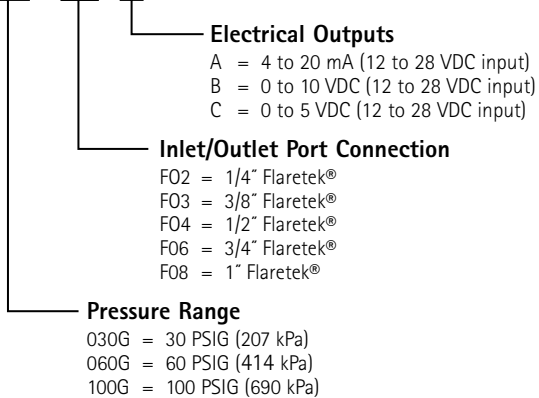
4130 - 100G - F02 - A



Product specified with a flared connection is packaged with one PVDF nut. For alternative nut material or custom configurations and specifications, please contact the factory.

Part Number

4230 - 100G - F02 - A



Product specified with a flared connection is packaged with two PVDF nuts. For alternative nut material or custom configurations and specifications, please contact the factory.



Wet Chemical Process Control

Entegris' patented products measure and control the pressure, flow and level of high purity corrosive acids, bases and solvents used in semiconductor processing. The proven reliability, performance and ease of integration provided by Entegris' products offer you new levels of wet chemical process control.

For Additional Information

For more information on NT® Pressure Transducers or our complete line of fluoropolymer fluid handling solutions, contact your local Entegris distributor or Entegris, Inc.

To review our complete line of sensing and control product solutions visit Entegris' Web site at www.entegrisfluidhandling.com or contact Entegris Customer Service.

Terms and Conditions of Sale

All purchases are subject to Entegris' "Terms and Conditions of Sale."

Entegris® and Flaretek® are registered trademarks of Entegris, Inc.
NT® is a registered trademark of NT International, an Entegris Company.
Kalrez® and Viton® are registered trademarks of DuPont Dow Elastomers.

U.S. Patent 5,852,244, 5,869,766, 5,693,887, other patents pending.

ENTEGRIS, INC.

Corporate Headquarters / 3500 Lyman Boulevard / Chaska, Minnesota 55318 USA
Customer Service Tel. 763-502-0200 or Toll Free 877-503-0200 / Customer Service Fax 763-502-0300
www.entegris.com / www.entegrisfluidhandling.com

The materials integrity management company

©2004 Entegris, Inc. Printed in USA 3960-1595MAX-0304