



**OPTIMIZER® ST DEV/DI
DISPOSABLE FILTERS**

*For point-of-use developer and DI water applications
for use with Optimizer® ST manifold*



the solution for rapid filter changeout

Overview

Developed from the Mykrolis® family of photo-chemical technologies, Optimizer® ST DEV/DI features:

- Rapid filter changeout with minimal dripping. NO tools and NO draining are required. You can change the filter in less than one minute!
- Self-contained filter structure minimizes contamination due to the handling of membrane cartridges.
- Optimizer® ST DEV filter is best recommended for use in positive developer solutions, as well as DI water.
- Used with Optimizer® II ST manifold to provide rapid filter changeout.
- Compact, stable design provides easy installation or retrofit into existing tools.
- Entegris pleating technology. Added surface area allows for lower pressure drop and maintains filter lifetime as filters become more retentive.

Superior Manufacturing

- Manufactured by an industry leader in a world class, ISO 9002 quality systems standard facility.
- Manufactured, tested and packaged in a cleanroom to assure product cleanliness at time of installation.

Superior Performance

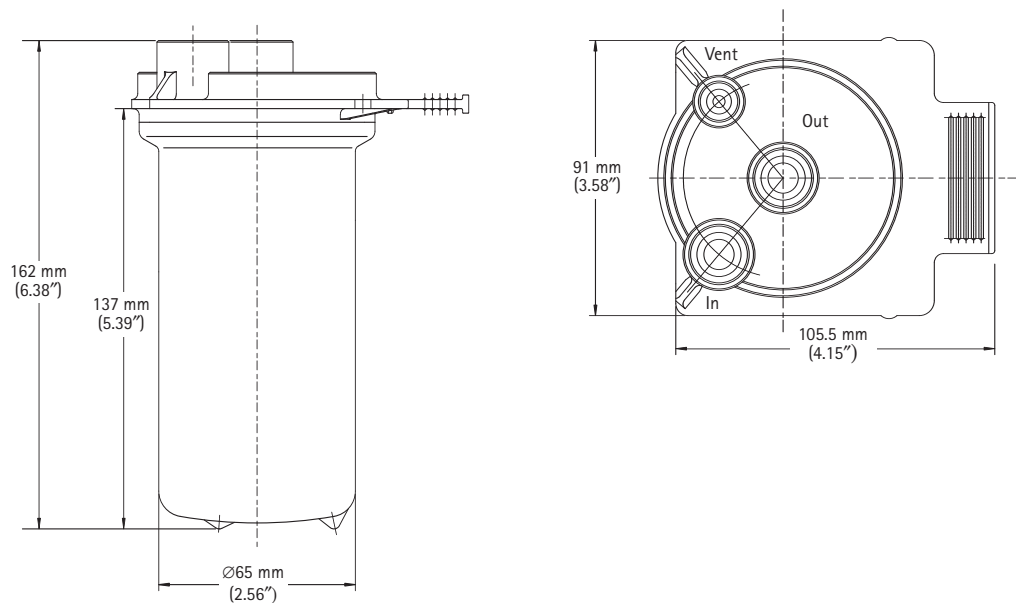
- Rapid filter changeout with minimal dripping and minimal exposure to process fluids.
- Disposable point of use filters for small to mid-volume process fluid filtration needs.
- Entegris' patented ultra high molecular weight polyethylene, surface modified (UPE) membrane eliminates pre-wetting, optimizes the full use of the membrane and ensures maximum flow.

Specifications

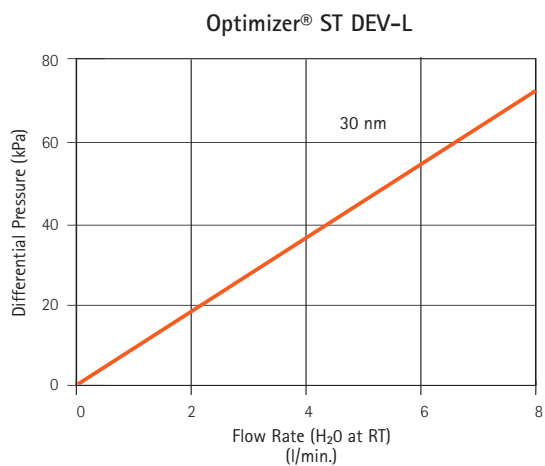
Filter materials:	Membrane	Patented surface-modified hydrophilic ultra-high molecular weight polyethylene
	Supports	High-density polyethylene (HDPE) supports, core and sleeve
	Disposable shell	Polypropylene
	O-ring	EDPM, Kalrez®
Manifold connections:*	³ / ₄ " and ¹ / ₂ " male Flaretek® inlet/outlet	
	¹ / ₄ " male Flaretek® vent and drain	
Filtration area:	DEV-L = 4500 cm ² (697.5 in ²)	
Operating conditions:	Maximum inlet pressure	0.39 MPa (3.9 bar, 57 PSI) @ 25°C (77°F)
	Maximum forward/reverse differential pressure	0.28 MPa (2.8 bar, 40 PSID) @ 25°C (77°F)
	Maximum operating temperature	40°C (104°F)

*Other connections are available. Please contact your local representative.

Dimensions



Performance Data



Ordering Information

Optimizer® ST DEV-L Filter 30 nm, Long

Part Number	Description
AHUY MLE M1	EPDM o-ring
AHUY MLK M1	Kalrez® o-ring

For More Information

Please call your Regional Customer Service Center today to learn what Entegris can do for you. Visit www.entegris.com and select “Regional Customer Service Centers” for the center nearest you.

Terms and Conditions of Sale

All purchases are subject to Entegris’ “Terms and Conditions of Sale.” To view and print this information, visit Entegris’ website at www.entegris.com and select the Legal Notices link from the footer found on the home page.

Entegris®, Mykrolis®, Optimizer® and Flaretek® are registered trademarks of Entegris, Inc.
Kalrez® is a registered trademark of DuPont Dow Elastomers, L.L.C.

ENTEGRIS, INC.

Corporate Headquarters / 3500 Lyman Boulevard / Chaska, Minnesota 55318 USA
Customer Service Tel. 952-556-4181 / Customer Service Fax 952-556-8022
www.entegris.com