



PLJ/PSJ FILTER HOUSINGS

Metal filter housings for gases, DI water and organic solvents

Overview

Entegris' PLJ/PSJ housings are filter housings of high-quality design that are recommended for semiconductor and high-purity chemical processing. PLJ/PSJ housings are constructed of SUS316, which has good resistance to corrosive chemicals. Its high-quality electropolished finish eliminates harmful contaminants from leaching into the process stream.

Accommodates a Wide Range of Filter Sizes

The PLJ/PSJ housings are available in lengths from 4 to 30 inches to accommodate a wide range of filter sizes.

Versatile Installation

PLJ housings can accommodate seal type, o-ring type or flat type filter cartridges.

Easy Cartridge Replacement

The PLJ/PSJ housing's screw-in clamp band makes cartridge changeout very easy.

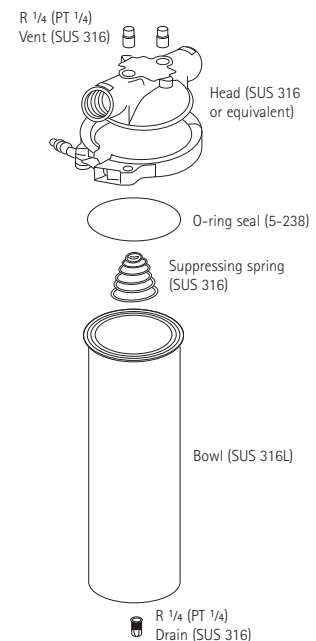
Superior Manufacturing

- Manufactured in a world-class, ISO 9001 Quality Systems Standard facility
- Manufactured, tested and packaged in a clean-room to ensure product cleanliness

Features	Benefits
Constructed of SUS316 stainless steel	Excellent chemical resistance
Electropolished finish	Ensures cleanliness in the process stream
Available in lengths from 4 to 30 inches	Accommodates a wide range of filter sizes
Can accommodate seal type, o-ring type or flat type filter cartridges	Versatile installation



Housing Assembly



Specifications

Materials:	Head	SUS 316 or equivalent	
	Bowl	SUS 316L	
	Drain, vent, plug, cartridge suppressing spring	SUS 316	
Finish:	Head interior/exterior	Electrolytic grinding (cast surface about 12S, except for the seal sides of cartridge o-ring)	
	Bowl interior/exterior	#180 hairline	
Connections:	Cartridge	10" Code 0, 2-222 o-rings flat type cartridge filter	
	Outlet	PLJ housing	RC 1/2 (PT female), RC 3/4 (PT female) or RC 1 (PT 1 female)
		PSJ Housing	RC 3/8 (PT 3/8 female)
	Vent/drain	RC 1/4" (PT 1/4 female)	
Maximum operating pressure: 0.69 MPa (6.9 bar, 100 PSI) @ 40°C (104°F)			

Ordering Information

HOUSINGS

Part Number	I/O Connection	Length
PLJ HOUSING FOR 2-222 O-RING FILTER CARTRIDGES		
YY16 004 3P	RC 3/4 (PT 3/4 female)	4"
YY16 012 2P	RC 1/2 (PT 1/2 female)	10"
YY16 012 3P	RC 3/4 (PT 3/4 female)	10"
YY16 012 4P	RC 1 (PT 1 female)	10"
YY16 020 3P	RC 3/4 (PT 3/4 female)	20"
YY16 020 4P	RC 1 (PT 1 female)	20"
YY16 030 3P	RC 3/4 (PT 3/4 female)	30"
YY16 030 4P	RC 1 (PT 1 female)	30"
PLJ HOUSING FOR FLAT (GASKET) FILTER CARTRIDGES		
YY16 F10 4P	RC 1 (PT 1 female)	10"
YY16 F20 4P	RC 1 (PT 1 female)	20"
YY16 F30 4P	RC 1 (PT 1 female)	30"
PSJ HOUSING FOR FLAT (GASKET) FILTER CARTRIDGES		
YY16 004 SP	RC 1 (PT 1 female)	4"
YY16 012 SP	RC 1 (PT 1 female)	10"

ACCESSORIES

Part Number	Description	Qty/Pkg
YY16 012 VT	O-ring (Standard 5-238) FKM	2
YY16 012 EP	O-ring, EPDM (5-238)	2
YY16 012 PF	O-ring, E-FKM core (5-238)	1
YY16 012 TF	O-ring, PTFE (5-238)	1
YY16 012 SI	O-ring, silicone (5-238)	2
YY16 000 PL	RC 1/4 (PT 1/4 male) plug (for vent and drain)	1
YY16 000 VB	V-type clamp band	1
YY16 000 CB	3 Separated-type clamp band	1
YY16 000 SP	Spring (spacer)	1

For More Information

Please call your Regional Customer Service Center today to learn what Entegris can do for you. Visit www.entegris.com and select the "Customer Service" link for the center nearest you.

Terms and Conditions of Sale

All purchases are subject to Entegris' "Terms and Conditions of Sale." To view and print this information, visit Entegris' website at www.entegris.com and select the Legal Notices link from the footer found on the home page.

Entegris® is a registered trademark of Entegris, Inc.

ENTEGRIS, INC.

Corporate Headquarters / 3500 Lyman Boulevard / Chaska, Minnesota 55318 USA
 Customer Service Tel. +1 952-556-4181 / Customer Service Fax +1 952-556-8022
www.entegris.com