



PANELGARD™ PDP DISPOSABLE FILTERS

Point-of-use all-polypropylene filters for pigment dispersed photoresist, acids, alkalis and pure water

Overview

Panelgard™ PDP disposable filters provide high-retention efficiency, high flow rate and long lifetime in point-of-use applications.

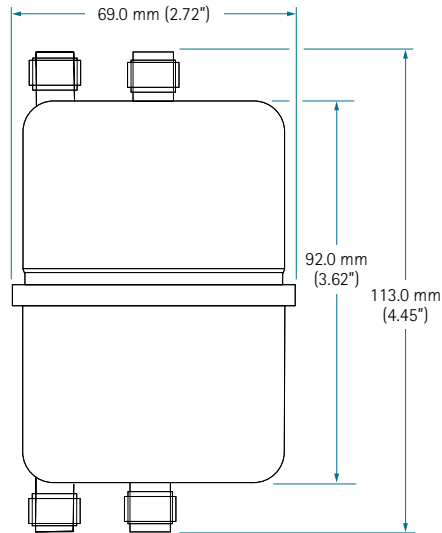
The all-polypropylene filter with nonwoven PP membrane is ideal for pigment-dispersed photoresist, acids, alkalis and pure water.



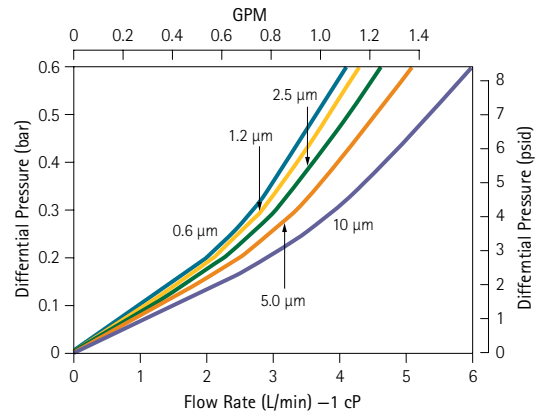
Specifications

Materials:	Membrane, core, sleeve, supports, housing	Polypropylene
Connection:	6.35 mm (1/4") compression seal	
Membrane area:	0.6 µm	1600 cm ² (1.72 ft ²)
	1.2 µm	1300 cm ² (1.4 ft ²)
	2.5 µm	1300 cm ² (1.4 ft ²)
	5.0 µm	1600 cm ² (1.72 ft ²)
	10.0 µm	1400 cm ² (1.51 ft ²)
Maximum operating conditions:	Maximum forward/reverse differential pressure	0.27 MPa (2.7 bar; 39.2 psid) @ 25°C
	Maximum operating temperature	38°C (100°F)

Dimensions



Performance Data



Ordering Information

Panelgard PDP Disposable Filters

Part Number

PG OS1 S3

Retention Rating

- 06 = 0.6 µm
- 12 = 1.2 µm
- 25 = 2.5 µm
- 50 = 5.0 µm
- 1H = 10 µm

Accessories

Part Number	Description	OD of Connecting Tubing
CW00 OS4 AV	Air vent set	3.18 mm (1/8")
CW00 OS4 20	Adapter set for 1/4" inlet/outlet	6.35 mm (1/4")

For More Information

Please call your Regional Customer Service Center today to learn what Entegris can do for you. Visit www.entegris.com and select the Customer Service link for the center nearest you.

Terms and Conditions of Sale

All purchases are subject to Entegris' Terms and Conditions of Sale. To view and print this information, visit www.entegris.com and select the Legal Notices link from the footer.

Entegris®, the Entegris Rings Design® and Panelgard™ are registered trademarks of Entegris, Inc.

ENTEGRIS, INC.

Corporate Headquarters | 129 Concord Road | Billerica, MA 01821 USA
 Customer Service Tel. +1 952 556 4181 | Customer Service Fax +1 952 556 8022
 In North America 800 394 4083 | www.entegris.com

©2009–2012 Entegris, Inc. All rights reserved. Printed in USA 4423-5785ENT-1212

