



PROCESSGARD® PES CARTRIDGE AND DISPOSABLE FILTERS

*PES filters for weak acids, bases
and DI water filtrations*

Overview

ProcessGard® PES cartridge and disposable filters are high-flow, longer-lifetime filters that are ideally suited for filtration of weak acids, bases and ultrapure DI water for the electronics industry.

Applications

- Flat panel display; all rinsing application after wet etching and stripping
- Facility system – ultrapure DI water that requires high retention and longer lifetime

Features and Benefits

- Asymmetric PES structure provides longer lifetime and high flow rate
- Hydrophilic PES media eliminates prewetting treatment, reduces filter changeout time and increases equipment uptime
- Various retention ratings, fitting sizes and types to meet various requirements
- Materials of construction conform to those listed in U.S. FDA Code of Federal Regulation Title 21 Part 177

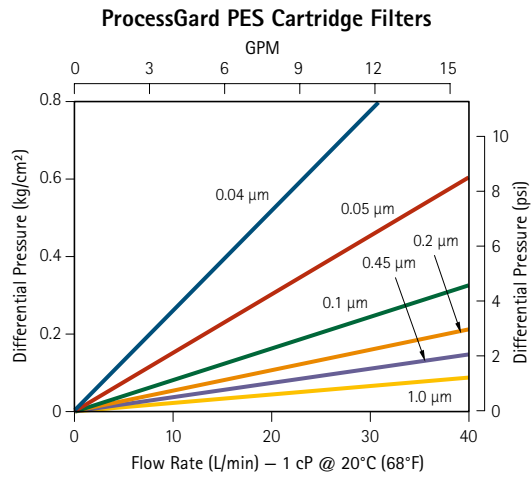


ProcessGard PES Cartridge Filters

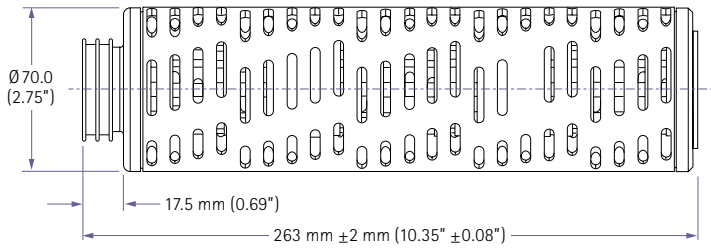
Specifications

Materials:	Membrane	Hydrophilic polyethersulfone
	Supports, core, sleeve	Polypropylene
	O-rings (AS568-222)	EPDM, fluoroelastomer, E-FKM (encapsulated fluoroelastomer)
Dimensions: (nominal)	Length	263 mm (10.35")
	Diameter	70 mm (2.75")
Operating conditions:	Maximum forward differential pressure	0.5 MPa (5.0 bar, 73 psi) @ 20°C (68°F)
		0.25 MPa (2.5 bar, 36 psi) @ 50°C (122°F)
		0.12 MPa (1.2 bar, 17 psi) @ 80°C (176°F)
	Maximum reverse differential pressure	0.3 MPa (3.0 bar, 44 psi) @ 20°C (68°F)
	Maximum operating temperature	80°C (176°F)
Retention rating:	0.04, 0.05, 0.1, 0.2, 0.45 and 1.0 µm	

Performance Data



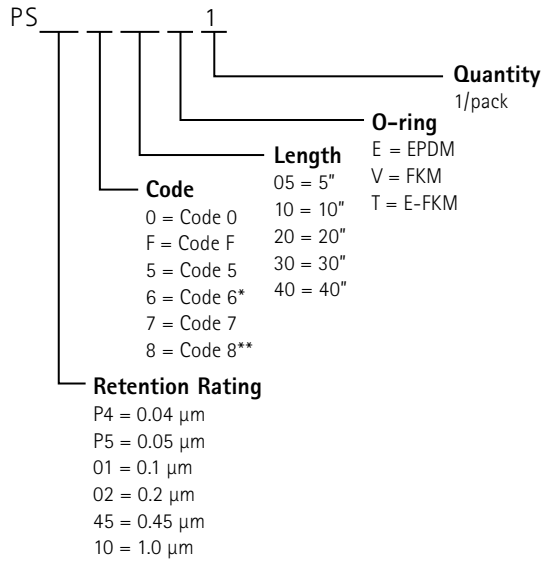
Dimensions



Ordering Information

ProcessGard PES Cartridge Filters

Part Number



* 222 with 83 mm/247 mm

** 226 with 70 mm/263 mm

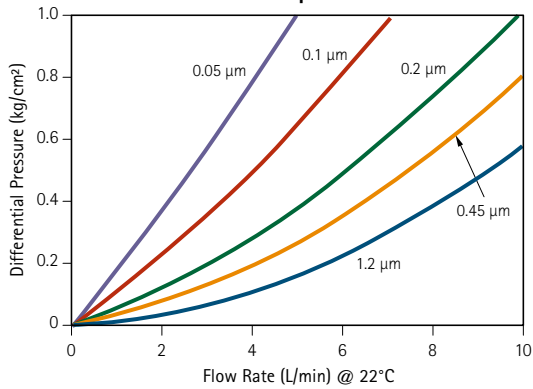
ProcessGard PES Cartridge Filters

Specifications

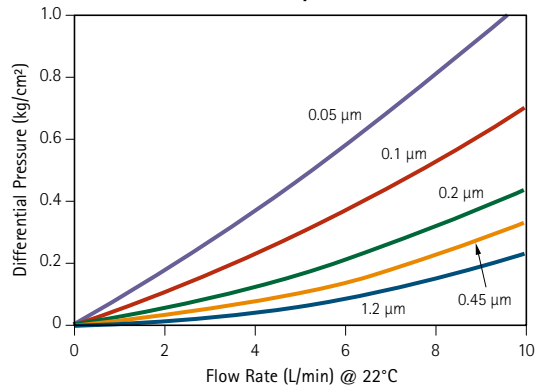
Materials:	Membrane	Hydrophilic polyethersulfone
	Supports, core, sleeve	Polypropylene
	Fitting connections	Flare, MNPT, FNPT, compression
Operating conditions:	Maximum forward differential pressure	0.4 MPa (4.0 bar, 58 psi) @ 20°C (68°F)
	Maximum reverse differential pressure	0.2 MPa (2.0 bar, 29 psi) @ 20°C (68°F)
	Maximum operating temperature	60°C (140°F)
Retention rating:	0.05, 0.1, 0.2, 0.45 and 1.2 µm	

Performance Data

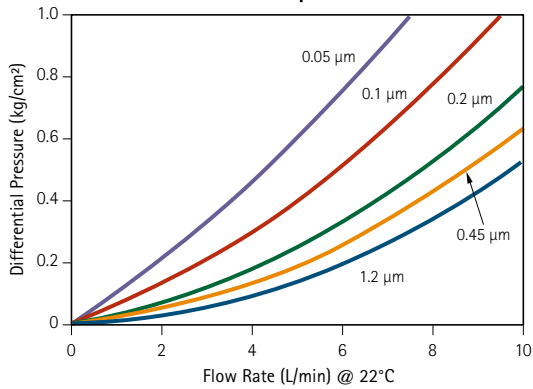
**ProcessGard PES (1½") Disposable Filters
¼" Compression**



**ProcessGard PES (5") Disposable Filters
⅜" Compression**

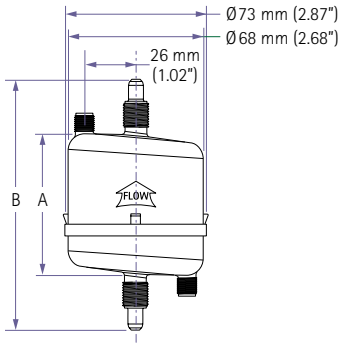


**ProcessGard PES (2½") Disposable Filters
¼" Compression**

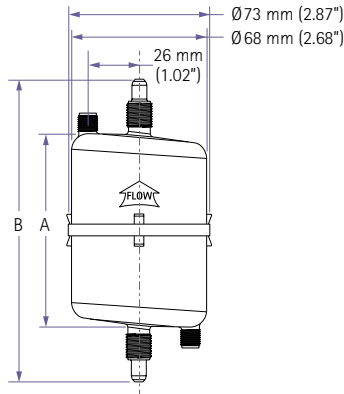


Dimensions

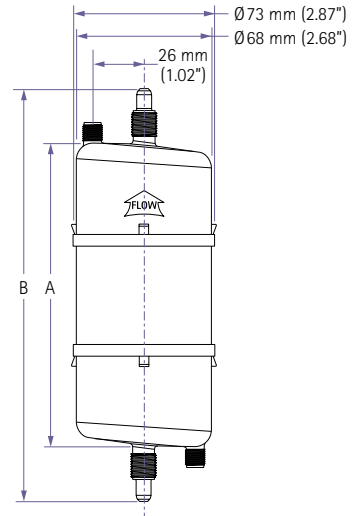
ProcessGard SKP-H (1 1/2")



ProcessGard SKP-S (2 1/2")



ProcessGard SKP-L (5")



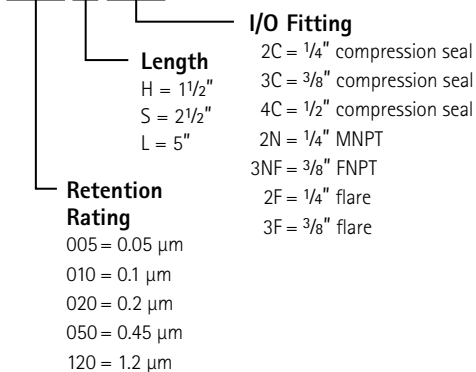
Fitting Connection		SKP-H (1 1/2")		SKP-S (2 1/2")		SKP-L (5")	
Inlet/Outlet	Vent/Drain	A	B	A	B	A	B
1/4" flare	1/8" MNPT (2 caps)	72 mm (2.83")	118 mm (4.64")	98 mm (3.86")	152 mm (5.98")	153 mm (6.02")	208 mm (8.19")
3/8" flare	1/4" flare (no caps)	72 mm (2.83")	118 mm (4.64")	98 mm (3.86")	152 mm (5.98")	153 mm (6.02")	208 mm (8.19")
1/4" MNPT	1/8" MNPT (2 caps)	72 mm (2.83")	94 mm (3.70")	98 mm (3.86")	128 mm (5.04")	153 mm (6.02")	183 mm (7.20")
1/4" compression	1/4" compression (2 caps)	72 mm (2.83")	91 mm (3.58")	98 mm (3.86")	125 mm (4.92")	153 mm (6.02")	180 mm (7.08")
3/8" compression	1/4" compression (2 caps)	72 mm (2.83")	91 mm (3.58")	98 mm (3.86")	125 mm (4.92")	153 mm (6.02")	180 mm (7.08")
1/2" compression	1/4" compression (2 caps)	72 mm (2.83")	97 mm (3.82")	98 mm (3.86")	131 mm (5.16")	153 mm (6.02")	186 mm (7.32")
3/8" FNPT	M8 (2 caps)	72 mm (2.83")	109 mm (4.29")	98 mm (3.86")	143 mm (5.63")	153 mm (6.02")	194 mm (7.63")

Ordering Information

ProcessGard PES Disposable Filters

Part Number

SKPS



For More Information

Please call your Regional Customer Service Center today to learn what Entegris can do for you. Visit www.entegris.com and select the Customer Service link for the center nearest you.

Terms and Conditions of Sale

All purchases are subject to Entegris' Terms and Conditions of Sale. To view and print this information, visit www.entegris.com and select the Legal Notices link from the footer.

Entegris®, the Entegris Rings Design® and ProcessGard® are registered trademarks of Entegris, Inc.

ENTEGRIS, INC.

Corporate Headquarters | 129 Concord Road | Billerica, MA 01821 USA
 Customer Service Tel. +1 952 556 4181 | Customer Service Fax +1 952 556 8022
 In North America 800 394 4083 | www.entegris.com