



PROCESSGARD® PP CARTRIDGE AND DISPOSABLE FILTERS

Polypropylene filters for acids, bases, process water, solvents, dyes and lacquers

Overview

ProcessGard® PP cartridge and disposable filters are ideally suited for acids, bases, process water, solvents, dyes and lacquers in flat panel display and chemical manufacturing.

Applications

- Flat panel display – all applications in wet etching, stripping, developer and cleaning process
- Chemical manufacturing – pre- and final filtration for solvent, photoresist and all pigment chemicals

Features and Benefits

- Broad chemical and thermal compatibility
- Highly customized configurations available to meet application and customer needs
- Various retention ratings, fitting sizes and types to meet various requirements
- Materials of construction conform to those listed in U.S. FDA Code of Federal Regulation Title 21 Part 177

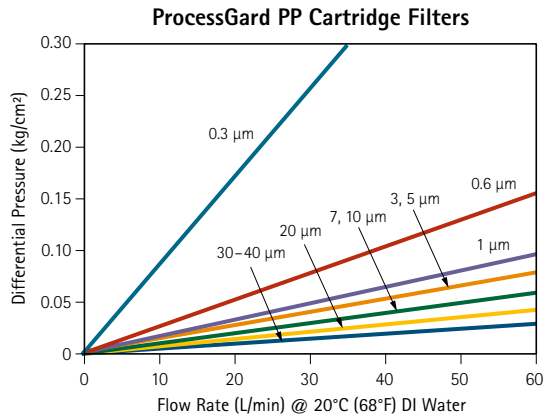


ProcessGard PP Cartridge Filters

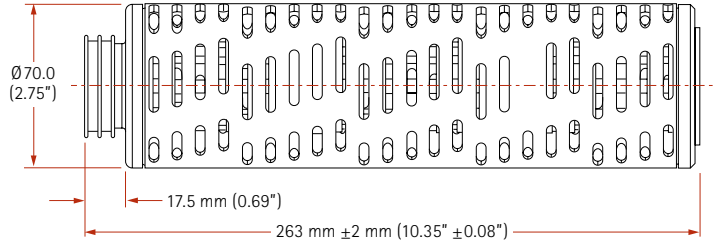
Specifications

Materials:	Membrane, supports, core, sleeve	Polypropylene
	O-rings (AS568-222)	EPDM, fluoroelastomer, E-FKM (encapsulated fluoroelastomer)
Dimensions: (nominal)	Length	263 mm (10.35")
	Diameter	70 mm (2.75")
Operating conditions:	Maximum forward differential pressure	0.4 MPa (4.0 bar, 58 psi) @ 20°C (68°F)
	Maximum reverse differential pressure	0.25 MPa (2.5 bar, 29 psi) @ 20°C (68°F)
	Maximum operating temperature	80°C (176°F)
Retention rating:	0.3, 0.6, 1, 3, 5, 7, 10, 20, 30 and 40 µm	

Performance Data



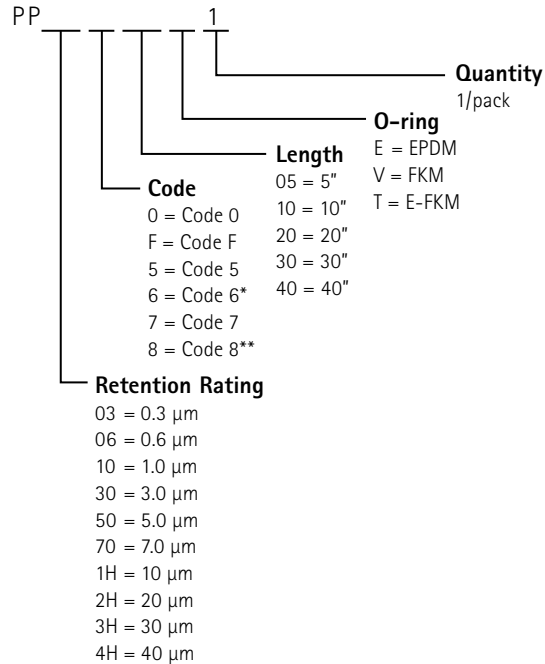
Dimensions



Ordering Information

ProcessGard PP Cartridge Filters

Part Number



* 222 with 83 mm/247 mm

** 226 with 70 mm/263 mm

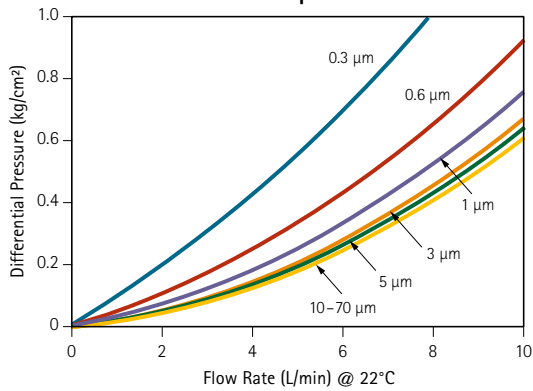
ProcessGard PP Cartridge Filters

Specifications

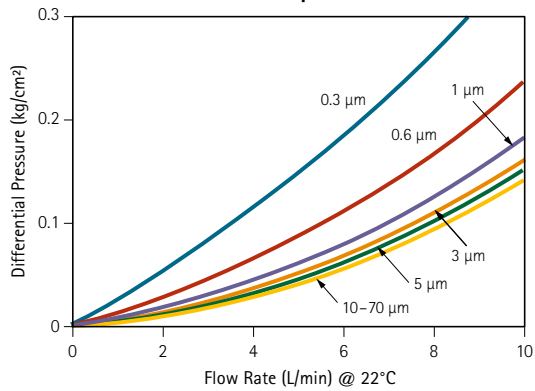
Materials:	Membrane, supports, core, sleeve	Polypropylene
	Fitting connections	Flare, MNPT, FNPT, compression
Operating conditions:	Maximum forward differential pressure	0.4 MPa (4.0 bar, 58 psi) @ 20°C (68°F)
	Maximum reverse differential pressure	0.2 MPa (2.0 bar, 29 psi) @ 20°C (68°F)
	Maximum operating temperature	60°C (140°F)
Retention rating:	0.3, 0.6, 1, 3, 5, 10, 20, 30, 40 and 70 µm	

Performance Data

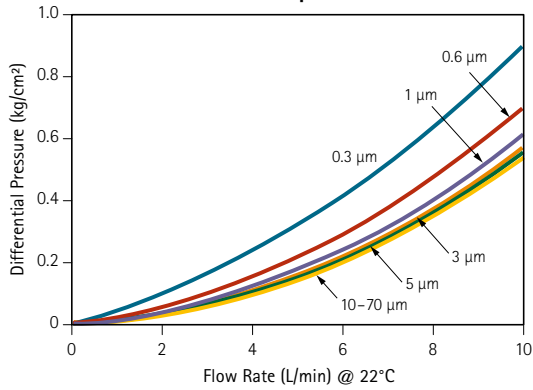
**ProcessGard PP (1 1/2") Disposable Filters
1/4" Compression**



**ProcessGard PP (5") Disposable Filters
3/8" Compression**

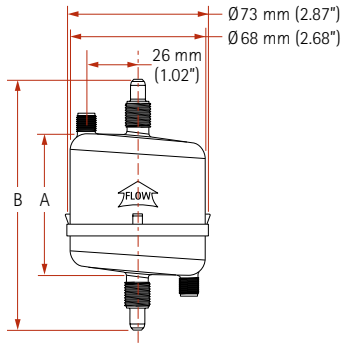


**ProcessGard PP (2 1/2") Disposable Filters
1/4" Compression**

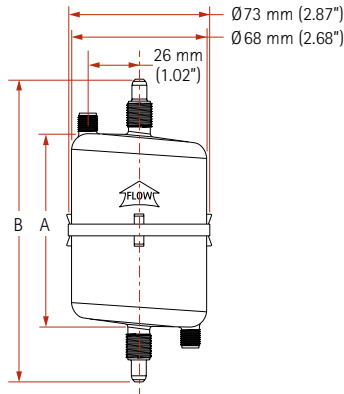


Dimensions

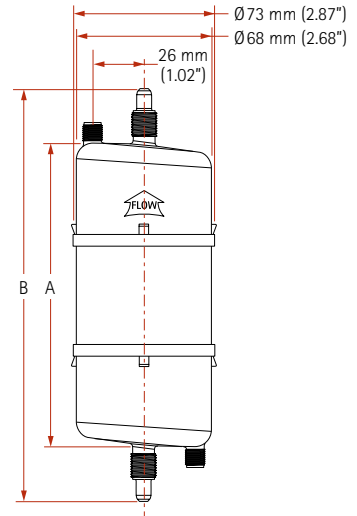
ProcessGard SKP-H (1 1/2")



ProcessGard SKP-S (2 1/2")



ProcessGard SKP-L (5")



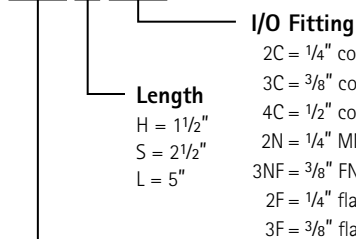
Fitting Connection		SKP-H (1 1/2")		SKP-S (2 1/2")		SKP-L (5")	
Inlet/Outlet	Vent/Drain	A	B	A	B	A	B
1/4" flare	1/8" MNPT (2 caps)	72 mm (2.83")	118 mm (4.64")	98 mm (3.86")	152 mm (5.98")	153 mm (6.02")	208 mm (8.19")
3/8" flare	1/4" flare (no caps)	72 mm (2.83")	118 mm (4.64")	98 mm (3.86")	152 mm (5.98")	153 mm (6.02")	208 mm (8.19")
1/4" MNPT	1/8" MNPT (2 caps)	72 mm (2.83")	94 mm (3.70")	98 mm (3.86")	128 mm (5.04")	153 mm (6.02")	183 mm (7.20")
1/4" compression	1/4" compression (2 caps)	72 mm (2.83")	91 mm (3.58")	98 mm (3.86")	125 mm (4.92")	153 mm (6.02")	180 mm (7.08")
3/8" compression	1/4" compression (2 caps)	72 mm (2.83")	91 mm (3.58")	98 mm (3.86")	125 mm (4.92")	153 mm (6.02")	180 mm (7.08")
1/2" compression	1/4" compression (2 caps)	72 mm (2.83")	97 mm (3.82")	98 mm (3.86")	131 mm (5.16")	153 mm (6.02")	186 mm (7.32")
3/8" FNPT	M8 (2 caps)	72 mm (2.83")	109 mm (4.29")	98 mm (3.86")	143 mm (5.63")	153 mm (6.02")	194 mm (7.63")

Ordering Information

ProcessGard PP Disposable Filters

Part Number

SKPP



Retention Rating

003 = 0.3 µm	050 = 5.0 µm	400 = 40.0 µm
006 = 0.6 µm	100 = 10.0 µm	700 = 70.0 µm
010 = 1.0 µm	200 = 20.0 µm	
030 = 3.0 µm	300 = 30.0 µm	

For More Information

Please call your Regional Customer Service Center today to learn what Entegris can do for you. Visit www.entegris.com and select the Customer Service link for the center nearest you.

Terms and Conditions of Sale

All purchases are subject to Entegris' Terms and Conditions of Sale. To view and print this information, visit www.entegris.com and select the Legal Notices link from the footer.

Entegris®, the Entegris Rings Design® and ProcessGard® are registered trademarks of Entegris, Inc.

ENTEGRIS, INC.

Corporate Headquarters | 129 Concord Road | Billerica, MA 01821 USA
Customer Service Tel. +1 952 556 4181 | Customer Service Fax +1 952 556 8022
In North America 800 394 4083 | www.entegris.com