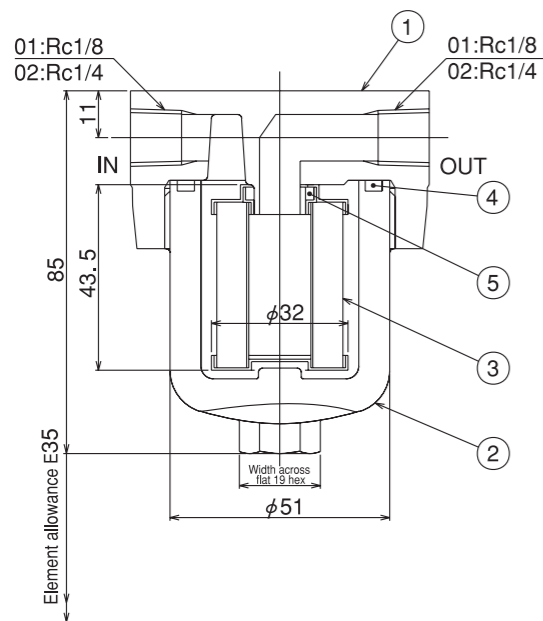
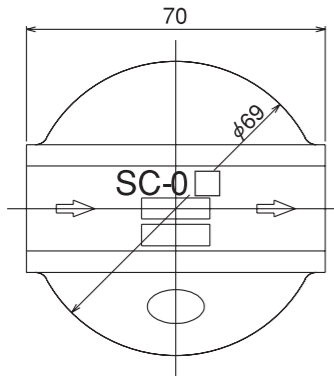




1. Maximum operating pressure: 21 MPa
Impulse test: 21 MPa x 10⁷ times
2. T connection. Element removal is downward.
3. Compact filter for small installation space.
4. Relief valve or indicator cannot be added.
5. Mass: 1 kg
6. Please contact us for use of fluid other than mineral oil on packing, O-rings and other parts.

Element Max. Differential Pressure
0.7MPa



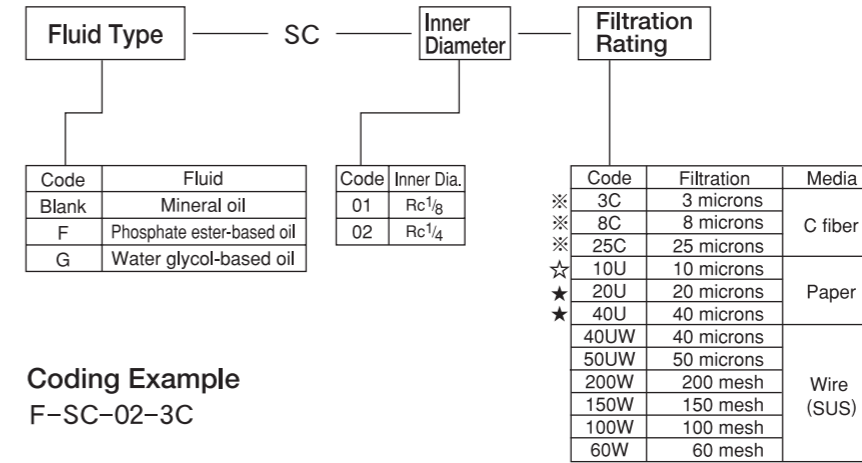
■ O-ring

Part No.	4	5
Model		
SC-01	AS568-131	P-12
SC-02		

■ Part List

Part No.	Part Name	Material	Qty	Remarks
5	O-ring	NBR	1	JIS B2401-1A
4	O-ring	NBR	1	AS568-131
3	Element		1	
2	Case	C3771	1	
1	Body	C3771	1	

► Model Code



Coding Example
F-SC-02-3C

※ 3C : β₃ ≧ 200
8C : β₈ ≧ 200
25C : β₂₅ ≧ 200
★ Not to be used with water glycol-based oil.
☆ Filter media used for water glycol-based oil differs from that for mineral oil.

► Spares

■ Element

P — Fluid Type — SC-01,02 — Filtration Rating
Coding example: P-F-SC-01,02-3C

■ Sealing parts set

● For element replacement / For overhaul
SA — Fluid Type — SC — 01,02
Coding example: SA-F-SC-01,02
*Spares are common to ID 01 and 02.

► Flow Rate Chart

● ISO VG32 ● Viscosity: 32 cSt (40°C)

