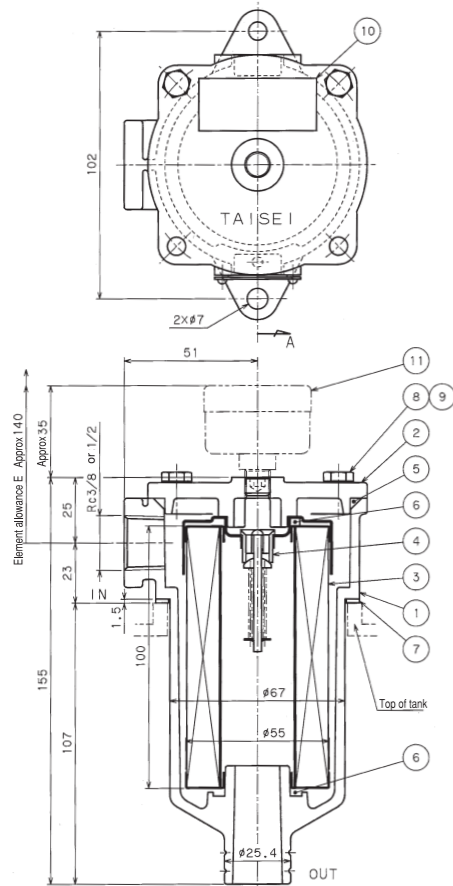




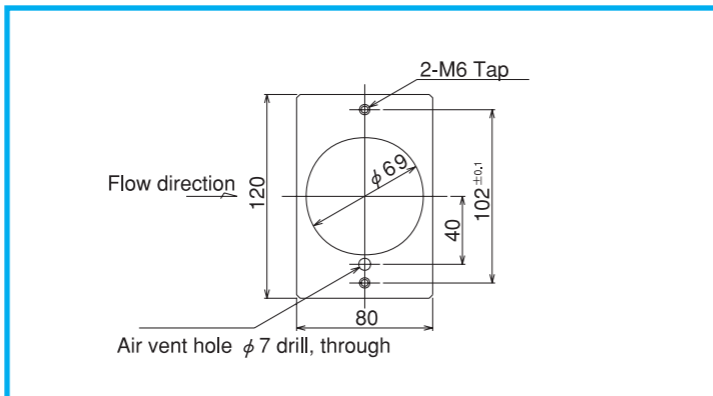
1. Maximum operating pressure: 1 MPa
2. Model TR return filter with a built-in air breather is installed directly on top of a tank.
3. Inner Diameter Rc3/8" or Rc1/2" thread connection.
4. Relief valve, its opening pressure 0.25 MPa, is installed as standard. Pressure gage is available in additional option.
5. Please contact us for use of fluid other than mineral oil on packing, O-rings and other parts.

■ Part List

Part No.	Part Name	Material	Qty	Remarks
11	Pressure gauge		1	Option
10	Nameplate	AL	1	
9	Washer	SS400	4	For M6
8	Bolt	SS400	4	M6×20
7	Packing	Non asbestos	1	
6	O-ring	NBR	2	JIS B2401,1A
5	O-ring	NBR	1	JIS B2401,1A
4	Relief valve	Nylon SECC	1	
3	Element		1 set	
2	Cover	ADC12	1	
1	Body	ADC12	1	



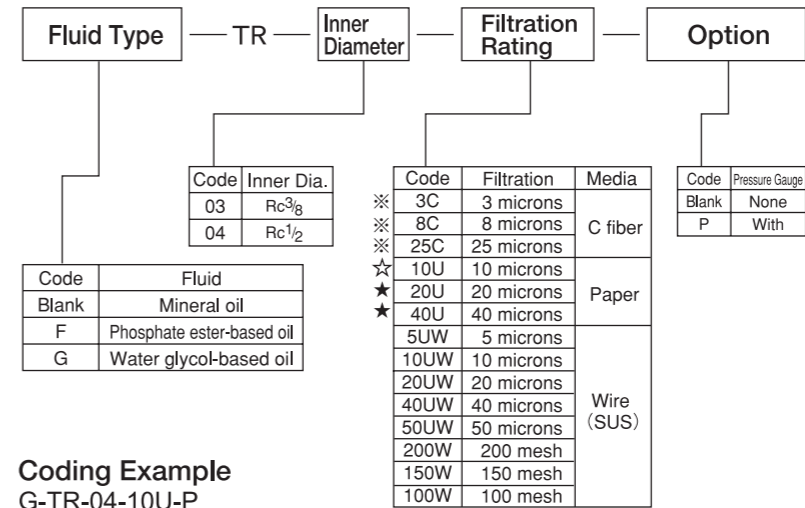
■ Details of Filter Mount



■ O-ring and Packing

Part No.	5	6	7
Size	JISB 2401.1A G-70	JISB 2401.1A P-25	t1.5×(118×78)/φ68

▶ Model Code



Coding Example
G-TR-04-10U-P

※ 3C : β₃ ≥ 200 ★ Not to be used with water glycol-based oil.
8C : β₈ ≥ 200 ☆ Filter media used for water glycol-based oil differs from that for mineral oil.
25C : β₂₅ ≥ 200

▶ Spares

■ Element



Coding example: P-G-TR-04-10U

■ Sealing parts set

● For element replacement (Part No. with ◎ in "O-ring and packing".)



Coding example: SP-G-TR-04

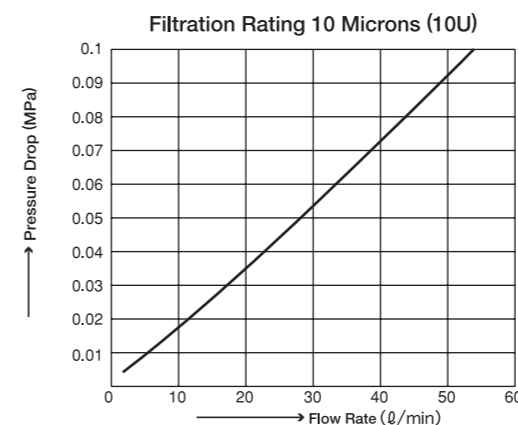
● For overhaul



Coding example: SA-G-TR-04

▶ Flow Rate Chart

● ISO VG32 ● Viscosity: 32 cSt (40°C)



■ Air Breather Air Flow Resistance (60 mesh)

